

SOUTH CENTRAL POWER COMPANY

Minimum Requirements: RESIDENTIAL METER LOCATION - ON HOUSE WITH HOUSE KNOB INSTALLATION – Overhead

Single phase, 120/240 Volts, 3 wire service, **100 Amp. Minimum**

GENERAL:

The consumer will supply and install a meter base sized appropriately for the electric service. The Company will supply and install overhead service wire and service wire attachments on house. All material supplied by the Company remains property of the Company. Consumer shall provide adequate strength surface to accept 2.5" lagged house knob for secondary attachment.

All service entrance equipment shall be supplied and installed on the house by the Consumer.

When entrance cable is used, a watertight connector must be used at the top of the meter base and a non-watertight connector shall be used at the bottom of the meter base. Conduit, if used, shall be rigid galvanized steel or rigid non-metallic (Schedule 40 PVC). It shall be of proper size as indicated reverse side and securely fastened to the side of the house by means of suitable clamps. A weatherhead shall be used, of proper size and type for the number and size of wire to be used.

Main switch and fuse box must be located at a readily accessible location nearest the point of entrance of the service conductors, when this is not possible, a UL approved external disconnect switch box must be installed.

GROUNDING:

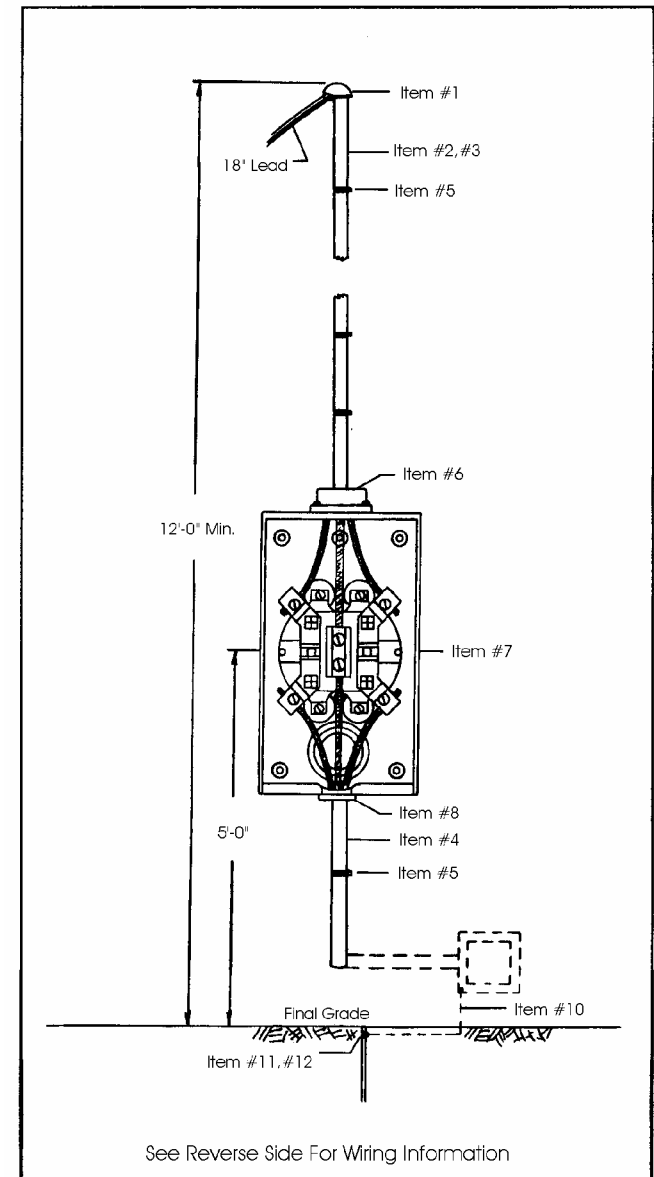
Ground wire must be one continuous length without splice or joint from main switch to grounding electrode.

Driven ground rod shall be 5/8" X 8' copperclad or 5/8" X 8' solid galvanized steel, in undisturbed soil.

Ground rod clamp shall connect ground wire securely to the ground rod.

NOTES:

1. All installations to be made according to this sketch.
2. All materials to be approved by the Underwriters Laboratories or equivalent.
3. All wiring to be in accordance with the National Electrical Code.
4. Always have a qualified electrician take care of your wiring needs.
5. Consumers not following these minimum specifications will be refused service connection.
6. Service connections and/or meter removal shall be done only by authorized company personnel.
7. Reduced neutral may be allowed.



*** BEFORE ANY DIGGING FOR SAFETY'S SAKE CALL OUPS (1-800-362-2764) ***

*** THIS STANDARD NOT FOR USE ON ROOF RISER INSTALLATIONS ***

WIRING DIAGRAM MATERIAL SPECIFICATIONS

100 Amp Meter On House Installation

ITEM	MATERIAL	100 AMP SERVICE
1	Weather head – (PVC or Galvanized) sized appropriately	
2	Service entrance cable, Type SE – (Copper)	# 4
	Service entrance cable, Type SE – (Aluminum)	# 2
	COPPER WIRE, Type THHW/THHN – installed in conduit	# 4
	ALUMINUM WIRE, Type THHW/THHN – installed in conduit	# 2
3	Conduit – PVC or Galvanized – Minimum size for Consumer service entrance cable/conductors – if required	2"
4	Conduit – PVC or Galvanized – Minimum size for Consumer service entrance cable/conductors – if required	2"
5	Cable or conduit clamp – spaced 18" maximum	
6	Watertight connector – (for cable or conduit)	
7	Meter base -- must be supplied by the consumer and approved by the Company	
8	Non-watertight connector – (for cable or conduit)	
9	Main switch and fuse box – as required	100 AMP
10	Continuous ground wire from main disconnect switch box to ground rod	# 6 Bare Copper
11	Ground Rod : 5/8" x 8' copperclad or 5/8" x 8' galvanized steel	
12	Ground Rod Clamp	

When ready for service connection, please call the Area Service Department at:

Lancaster : 1-800-282-5064

Canal Winchester : 1-800-524-0802

Circleville : 1-800-206-0745

Hillsboro : 1-800-207-0020

Barnesville : 1-800-468-4717

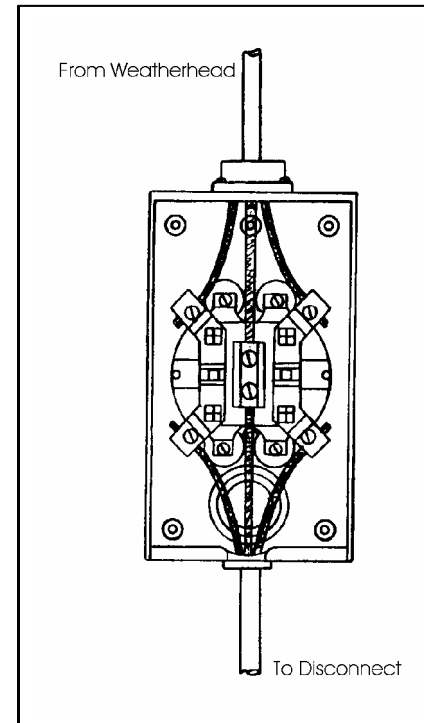
BEFORE ANY DIGGING FOR SAFETY'S SAKE CALL OUPS (1-800-362-2764)

150 Amp Meter On House Installation

ITEM	MATERIAL	150 AMP SERVICE
1	Weather head – (PVC or Galvanized) sized appropriately	
2	Service entrance cable, Type SE – (Copper)	# 1
	Service entrance cable, Type SE – (Aluminum)	# 2/0
	COPPER WIRE, Type THHW/THHN – installed in conduit	# 1
	ALUMINUM WIRE, Type THHW/THHN – installed in conduit	# 2/0
3	Conduit – PVC or Galvanized – Minimum size for Consumer service entrance cable/conductors – if required	2"
4	Conduit – PVC or Galvanized – Minimum size for Consumer service entrance cable/conductors – if required	2"
5	Cable or conduit clamp – spaced 18" maximum	
6	Watertight connector – (for cable or conduit)	
7	Meter base -- must be supplied by the consumer and approved by the Company	
8	Non-watertight connector – (for cable or conduit)	
9	Main switch and fuse box – as required	150 AMP
10	Continuous ground wire from main disconnect switch box to ground rod	# 6 Bare Copper
11	Ground Rod : 5/8" x 8' copperclad or 5/8" x 8' galvanized steel	
12	Ground Rod Clamp	

200 Amp Meter On House Installation

ITEM	MATERIAL	200 AMP SERVICE
1	Weather head – (PVC or Galvanized) sized appropriately	
2	Service entrance cable, Type SE – (Copper)	# 2/0
	Service entrance cable, Type SE – (Aluminum)	# 4/0
	COPPER WIRE, Type THHW/THHN – installed in conduit	# 2/0
	ALUMINUM WIRE, Type THHW/THHN – installed in conduit	# 4/0
3	Conduit – PVC or Galvanized – Minimum size for Consumer service entrance cable/conductors – if required	2"
4	Conduit – PVC or Galvanized – Minimum size for Consumer service entrance cable/conductors – if required	2"
5	Cable or conduit clamp – spaced 18" maximum	
6	Watertight connector – (for cable)	
7	Meter base -- must be supplied by the consumer and approved by the Company	
8	Non-watertight connector – (for cable or conduit)	
9	Main switch and fuse box – as required	200 AMP
10	Continuous ground wire from main disconnect switch box to ground rod	# 6 Bare Copper
11	Ground Rod : 5/8" x 8' copperclad or 5/8" x 8' galvanized steel	
12	Ground rod clamp	



*** THIS STANDARD NOT FOR USE ON ROOF RISER INSTALLATIONS ***