

# SOUTH CENTRAL POWER COMPANY

## Minimum Requirements: RESIDENTIAL METER LOCATION – ON HOUSE INSTALLATION - Underground Single phase, 120/240 Volts, 3 wire service, 320 Amp. Service

### GENERAL:

The consumer will supply and install a meter base sized appropriately for the electric service. The Company will supply and install underground service wire into the meter base. All material supplied by the Company remains property of the Company.

All the service equipment is to be supplied and installed by the Consumer, including (3") conduit from meter base to 12" below final grade.

Conduit shall be rigid galvanized steel or rigid non-metallic (Schedule 40 PVC). It shall be of proper size as indicated on reverse side and securely fastened to the house by the means of suitable clamps. If a patio, deck or similar structure may be built in the future and said construction is within three feet of the Company's service facilities, the Company will require the service to be installed in conduit (Schedule 40 PVC).

Main switch and fuse box should be located at a readily accessible location nearest the point of entrance of the service conductor. When this is not possible, a UL approved external disconnect switch box must be installed.

### GROUNDING:

Ground wire must be one continuous length without splice or joint from main switch to grounding electrode. Driven ground rod shall be 5/8" X 8' copperclad or 5/8" X 8' solid galvanized steel, in undisturbed soil. Ground rod clamp shall connect ground wire securely to the ground rod

### NOTES:

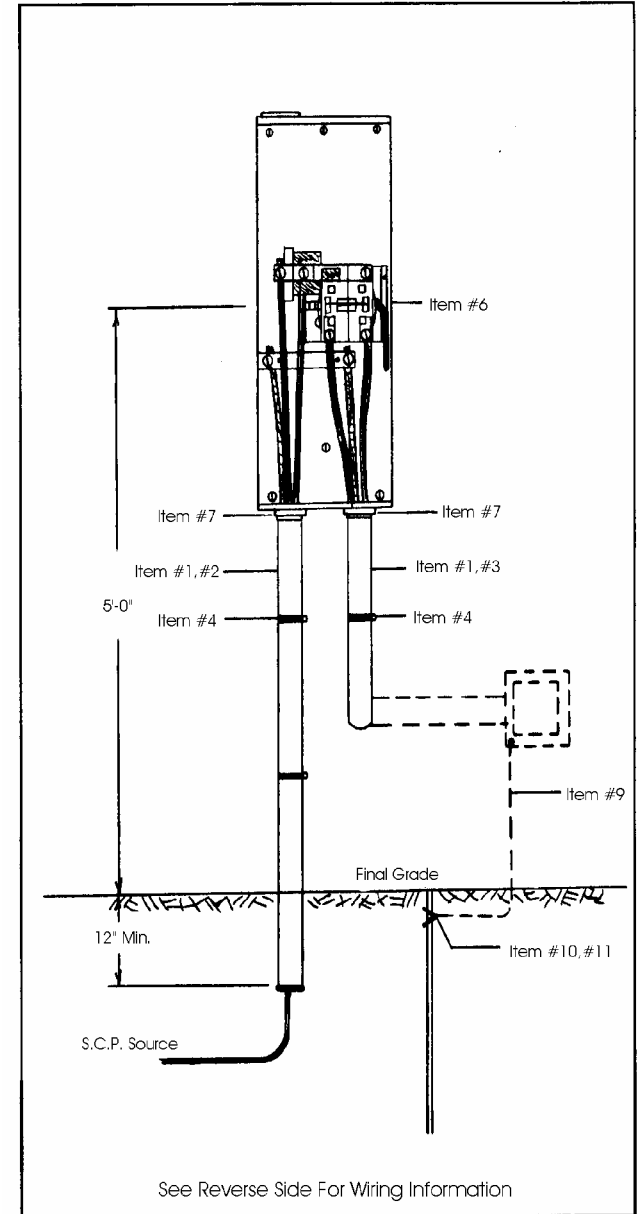
1. All installations to be made according to this sketch.
2. All materials to be approved by the Underwriters Laboratories or equivalent.
3. All wiring to be in accordance with the National Electrical Code.
4. Always have a qualified electrician take care of your wiring needs.
5. Consumers not following these minimum specifications will be refused service connection.
6. Service connections and/or meter removal shall be done only by authorized company personnel.
7. Reduced neutral may be allowed.

### TRENCHING:

The trench specifications of 4" width and 36" depth are specified as minimum's and must be maintained at all times. The trench widths specified are minimum and shall be increased as necessary to obtain the required depth in loose soil. Trenches are to be dug from within 2' or 3' of Company equipment and shall follow a straight line between staked points as close as possible. The trench shall be dug so that the bottom has a level grade and shall be relatively smooth with undisturbed earth, tamped earth or sand. Consumer shall remove all rocks, stones and gravel from the bottom and sides of the trench. Where this cannot be done, conduit (Schedule 40 PVC) minimum 3" or a three inch layer of clean masonry sand shall be placed in the bottom of the trench and clean soil used for proper backfill. TRENCH SHALL NOT BE BACKFILLED WITH EXCESS CONSTRUCTION MATERIALS SUCH AS CONCRETE BLOCK, LUMBER, DRYWALL, ETC.

Construction shall be coordinated with the Company's Service Department so that trenches will be left open for the shortest practicable time to avoid creating a hazard to the public and to minimize the likelihood of trench collapse due to other construction activity, rain, accumulation of water in the trench, etc. All trenches parallel to the building foundation shall be no closer than four (4) feet. The trench shall be backfilled as described as soon as possible after the placing of the cable. The top twelve inches of such backfill shall be well tamped while backfilling and shall be banked over the top of the ditch to provide for settling of the backfill. Conduit shall be installed under landscaping, driveways, patios or other paved areas. Conduit shall be either galvanized pipe or Schedule 40 PVC. The minimum size allowed shall be 3" and installed with a pull rope. ONLY COMPANY service cable permitted in conduit. Customer cable, water mains, gas mains and sewage pipes shall not be installed in a trench containing cables owned, installed and maintained by the Company.

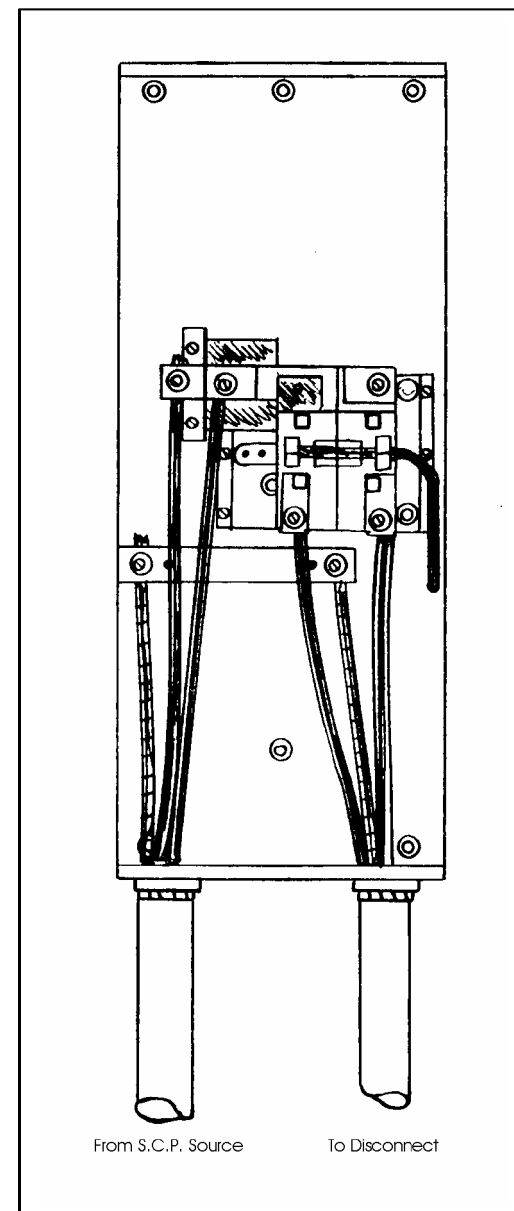
**\*\*\* BEFORE ANY DIGGING FOR SAFETY'S SAKE CALL OUPS (1-800-362-2764) \*\*\***



## WIRING DIAGRAM MATERIAL SPECIFICATIONS

### 320 Amp Service – Underground Meter On House Installation

ITEM	MATERIAL	320 AMP SERVICE
1	Copper Wire, Type THHW/THHN - installed in conduit ( 300A )	<b>250 MCM</b>
	Aluminum Wire, Type THHW/THHN – installed in conduit (300A)	<b>350 MCM</b>
	Copper Wire, Type THHW/THHN – installed in conduit ( 400A )	<b>400 MCM</b>
	Aluminum Wire, Type THHW/THHN – installed in conduit (400A)	<b>N/A</b>
2	Conduit – PVC or Galvanized – Minimum size for Company service cable/conductors as required	<b>3”</b>
3	Conduit – PVC or Galvanized – Minimum size for Consumer service entrance cable/conductors – if required	<b>3”</b>
4	Cable or conduit clamp – spaced 18” maximum	
5	Watertight connector – ( for conduit )	
6	Meter base -- must be supplied by the consumer and approved by the Company	
7	Non-watertight connector – ( for conduit )	
8	Waterproof, disconnect switch box – as required	<b>300/400 Amp</b>
9	Continuous ground wire from main disconnect switch box to ground rod	<b># 6 Bare Copper</b>
10	Ground Rod : 5/8” x 8’ copperclad or 5/8” x 8’ galvanized steel	
11	Ground Rod Clamp	



<b>When ready for service connection, please call the Area Service Department at:</b>	
Lancaster-----	1-800-282-5064
Canal Winchester-----	1-800-524-0802
Circleville-----	1-800-206-0745
Hillsboro-----	1-800-207-0020
Barnesville-----	1-800-468-4717

**\*\* BEFORE ANY DIGGING FOR SAFETY’S SAKE CALL OUPS ( 1-800-362-2764 ) \*\***