

SOUTH CENTRAL POWER COMPANY

Minimum Requirements: **METER POLE INSTALLATION** - Overhead
Single phase, 120/240 Volts, 3 wire service, **320 Amp. Service**

GENERAL:

The consumer will supply and install a meter base sized appropriately for the electric service. The Company will supply and install service wires to the pole and service wire attachments on the pole. All material supplied by the Company will remain the property of the Company.

All service entrance equipment shall be supplied and installed on the meter pole by the Consumer.

Consumer shall install an adequate structure to support the meter pole installation. Structure must be a pressure treated pole or timber, pressure treated with a minimum size of **6" x 6" x 20'** and a **4" x 6" x 8'** (for pedestal back-board support). Back support must be of pressure treated **3 - 2" x 12" x 5'** or equivalent. Structure shall be set in the ground a minimum of four feet and the backfill shall be thoroughly tamped. Structure shall be not more than **(70)** feet from the closest available Company facilities. All meter pole installations must have guy cable and anchor installed by Consumer as shown on sketch on the reverse side.

The Consumer must wire meter pole installation in minimum sized conduit (**3"**). Conduit shall be rigid galvanized steel, or schedule 40 PVC and shall be securely fastened to the pole with suitable clamps. A weatherhead shall be used, of proper size and type for the number and size of wire to be used.

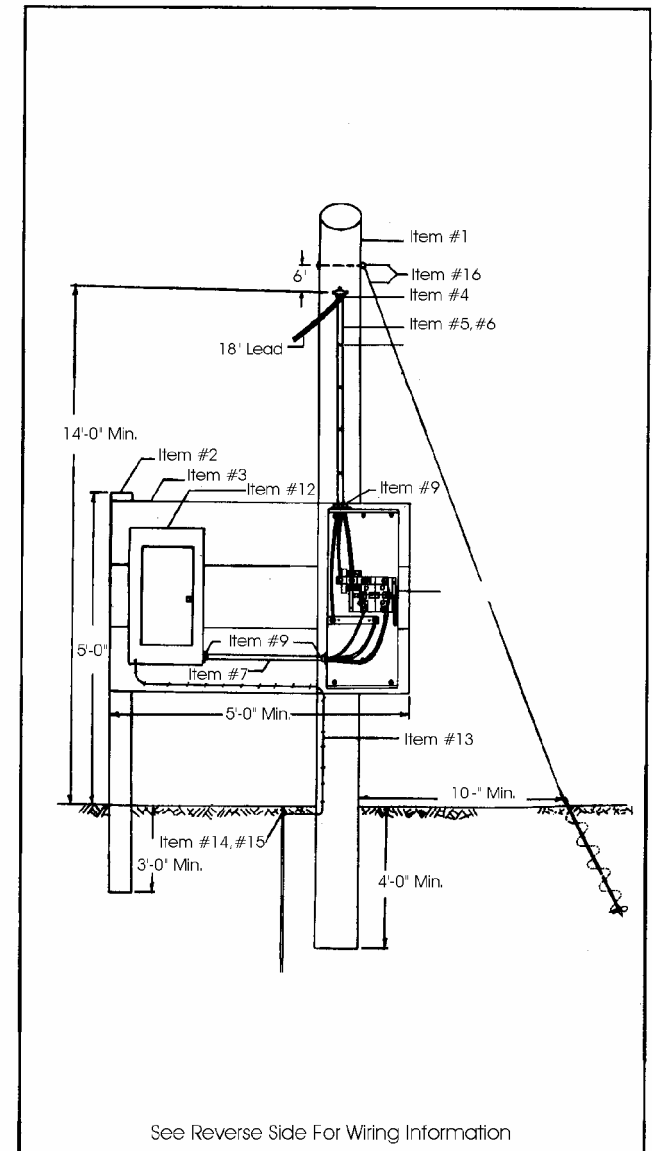
All meter pole installations must be provided with a UL approved main weatherproof disconnect switch box of proper size and must be located within two feet after the Consumer's wire leaves the meter base.

GROUNDING:

Ground wire must be one continuous length without splice or joint from main switch to grounding electrode. Driven ground rod shall be **5/8" X 8'** copperclad or **5/8" X 8'** solid galvanized steel, in undisturbed soil. Ground rod clamp shall connect ground wire securely to the ground rod.

NOTES:

1. All installations to be made according to this sketch.
2. All materials to be approved by the Underwriters Laboratories or equivalent.
3. All wiring to be in accordance with the National Electrical Code.
4. Always have a qualified electrician take care of your wiring needs.
5. Consumers not following these minimum specifications will be refused service connection.
6. Service connections and/or meter removal shall be done only by authorized company personnel.
7. Ground fault circuit protection shall be used where required by local inspection authority, in accordance with (Article 305-6, 1999 NEC).
8. Reduced neutral may be allowed.



BEFORE ANY DIGGING FOR SAFETY'S SAKE CALL OUPS (1-800-362-2764)

WIRING DIAGRAM MATERIAL SPECIFICATIONS

320 Amp Service – Consumer’s Meter Pole Installation

ITEM	MATERIAL	320 AMP SERVICE
1	1 - 6" x 6" x20' Pole or Timber (Pressure Treated) – Minimum	
2	1 - 4" x 6" x 8' Timber (Pressure Treated)	
3	3 - 2" x 12" x 5' Pressure Treated (or equivalent)	
4	Weatherhead – (Galvanized or PVC) Appropriately sized	
5	Copper Wire, Type THHW/THHN - installed in conduit (300A)	250 MCM
	Aluminum Wire, Type THHW/THHN – installed in conduit (300A)	350 MCM
	Copper Wire, Type THHW/THHN – installed in conduit (400A)	400 MCM
	Aluminum Wire, Type THHW/THHN – installed in conduit (400A)	N/A
6	Conduit – PVC or Galvanized – Minimum size for Consumer service cable/conductors as required	3"
7	Conduit – PVC or Galvanized – Minimum size for Consumer service cable/conductors as required	3"
8	Cable or conduit clamp – spaced 18" maximum	
9	Watertight connector – (for conduit)	
10	Meter base -- must be supplied by the consumer and approved by the Company	
11	Non-watertight connector – (for conduit)	
12	Waterproof, disconnect switch box – as required	300/400 Amp
13	Continuous ground wire from main disconnect switch box to ground rod	# 6 Bare Copper
14	Ground Rod : 5/8" x 8' copperclad or 5/8" x 8' galvanized steel	
15	Ground Rod Clamp	
16	¼" Steel cable – Eyebolt ½" x 8" with appropriate clamps, nut's and large washer	
17	Anchor – 11/16" x 4' with 6" Plate (Auger style)	

POLE HEIGHT	MINIMUM SETTING DEPTH
20 FEET	4 FEET
25 FEET	5 FEET
30 FEET	5 FEET

When ready for service connection, please call the Area Service Department at:

Lancaster-----	1-800-282-5064
Canal Winchester-----	1-800-524-0802
Circleville-----	1-800-206-0745
Hillsboro-----	1-800-207-0020
Barnesville-----	1-800-468-4717

**** BEFORE ANY DIGGING FOR SAFETY'S SAKE CALL OUPS (1-800-362-2764) ****

