

SOUTH CENTRAL POWER COMPANY

Minimum Requirements: RESIDENTIAL METER LOCATION – ROOF RISER INSTALLATION - Overhead

Single phase, 120/240 Volts, 3 wire service, **100 Amp. Minimum**

GENERAL:

The consumer will supply and install a meter base sized appropriately for the electric service. The Company will supply and install overhead service wire to mast and service wire attachments on mast. All material supplied by the Company remains property of the Company.

All service entrance equipment, including mast, is to be supplied and installed on the house by the Consumer.

A weatherhead shall be used, of proper size and type for the number and size of wire to be used.

Roof riser shall only be rigid galvanized steel conduit, of proper size as shown on reverse side and shall be securely fastened to the building. It shall be of such length that the weatherhead must be a minimum of three (3) feet and not to exceed a maximum of (5) feet above roof. Weatherhead shall be at (14) feet minimum above ground level.

Roof riser passage through the roof shall be completely waterproof.

From meter base to main switch, installations may be either service entrance cable or wire in conduit, as desired by Consumer. If cable is used from meter base to main switch, a non-watertight connector shall be used at the bottom of the meter base.

Main switch and fuse box must be located at a readily accessible location nearest the point of entrance of the service conductors, when this is not possible, a UL approved external disconnect switch box must be installed.

GROUNDING:

Ground wire must be one continuous length without splice or joint from main switch to grounding electrode.

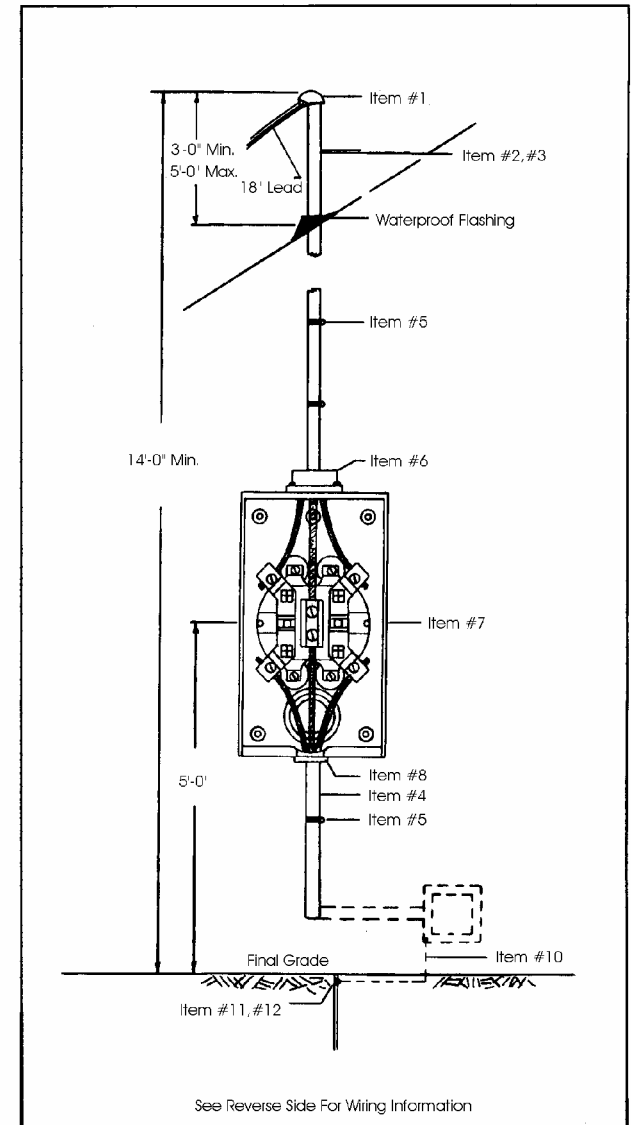
Driven ground rod shall be 5/8" X 8' copperclad or 5/8" X 8' solid galvanized steel, in undisturbed soil.

Ground rod clamp shall connect ground wire securely to the ground rod.

NOTES:

1. All installations to be made according to this sketch.
2. All materials to be approved by the Underwriters Laboratories or equivalent.
3. All wiring to be in accordance with the National Electrical Code.
4. Always have a qualified electrician take care of your wiring needs.
5. Consumers not following these minimum specifications will be refused service connection.
6. Service connections and/or meter removal shall be done only by authorized company personnel.
7. Reduced neutral may be allowed.

***** BEFORE ANY DIGGING FOR SAFETY'S SAKE CALL OUPS (1-800-362-2764) *****



WIRING DIAGRAM MATERIAL SPECIFICATIONS:

100 Amp Meter – Roof Riser Installation

ITEM	MATERIAL	100 AMP SERVICE
1	Weather head – (Galvanized) sized appropriately	
2	Service entrance cable, Type SE – (Copper)	# 4
	Service entrance cable, Type SE – (Aluminum)	# 2
	COPPER WIRE, Type THHW/THHN – installed in conduit	# 4
	ALUMINUM WIRE, Type THHW/THHN – installed in conduit	# 2
3	Conduit – Galvanized – Minimum size for Consumer service entrance cable/conductors - Roof Riser Installation	2"
4	Conduit – PVC or Galvanized – Minimum size for Consumer service entrance cable/conductors – if required	2"
5	Cable or conduit clamp – spaced 18" maximum	
6	Watertight connector – (for cable or conduit)	
7	Meter base -- must be supplied by the consumer and approved by the Company	
8	Non-watertight connector – (for cable or conduit)	
9	Main switch and fuse box -- as required	100 AMP
10	Continuous ground wire from main disconnect switch box to ground rod	# 6 Bare Copper
11	Ground Rod : 5/8" x 8' copperclad or 5/8" x 8' galvanized steel	
12	Ground Rod Clamp	

When ready for service connection, please call the Area Service Department at:

Lancaster : 1-800-282-5064

Canal Winchester : 1-800-524-0802

Circleville : 1-800-206-0745

Hillsboro : 1-800-207-0020

Barnesville : 1-800-468-4717

BEFORE ANY DIGGING FOR SAFETY'S SAKE CALL OUPS (1-800-362-2764)

150 Amp Meter – Roof Riser Installation

ITEM	MATERIAL	150 AMP SERVICE
1	Weather head – (Galvanized) sized appropriately	
2	Service entrance cable, Type SE – (Copper)	# 1
	Service entrance cable, Type SE – (Aluminum)	# 2/0
	COPPER WIRE, Type THHW/THHN – installed in conduit	# 1
	ALUMINUM WIRE, Type THHW/THHN – installed in conduit	# 2/0
3	Conduit – Galvanized – Minimum size for Consumer service entrance cable/conductors – Roof Riser Installation	2"
4	Conduit – PVC or Galvanized – Minimum size for Consumer service entrance cable/conductors – if required	2"
5	Cable or conduit clamp – spaced 18" maximum	
6	Watertight connector – (for cable or conduit)	
7	Meter base -- must be supplied by the consumer and approved by the Company	
8	Non-watertight connector – (for cable or conduit)	
9	Main switch and fuse box -- as required	150 AMP
10	Continuous ground wire from main disconnect switch box to ground rod	# 6 Bare Copper
11	Ground Rod : 5/8" x 8' copperclad or 5/8" x 8' galvanized steel	
12	Ground Rod Clamp	

200 Amp Meter – Roof Riser Installation

ITEM	MATERIAL	200 AMP SERVICE
1	Weather head – (Galvanized) sized appropriately	
2	Service entrance cable, Type SE – (Copper)	# 2/0
	Service entrance cable, Type SE – (Aluminum)	# 4/0
	COPPER WIRE, Type THHW/THHN – installed in conduit	# 2/0
	ALUMINUM WIRE, Type THHW/THHN – installed in conduit	# 4/0
3	Conduit – Galvanized – Minimum size for Consumer service entrance cable/conductors - Roof Riser Installation	2"
4	Conduit – PVC or Galvanized – Minimum size for Consumer service entrance cable/conductors – if required	2"
5	Cable or conduit clamp – spaced 18" maximum	
6	Watertight connector – (for cable)	
7	Meter base -- must be supplied by the consumer and approved by the Company	
8	Non-watertight connector – (for cable or conduit)	
9	Main switch and fuse box -- as required	200 AMP
10	Continuous ground wire from main disconnect switch box to ground rod	# 6 Bare Copper
11	Ground Rod : 5/8" x 8' copperclad or 5/8" x 8' galvanized steel	
12	Ground rod clamp	

