

SOUTH CENTRAL POWER COMPANY

Minimum Requirements: RESIDENTIAL METER LOCATION – ROOF RISER INSTALLATION - Overhead

Single phase, 120/240 Volts, 3 wire service, **320 Amp. Service**

GENERAL:

The consumer will supply and install a meter base sized appropriately for the electric service. The Company will supply and install overhead service wire to mast and service wire attachments on mast. All material supplied by the Company remains property of the Company.

All service entrance equipment, including mast, is to be supplied and installed on the house by the Consumer.

A weatherhead shall be used, of proper size and type for the number and size of wire to be used.

Roof riser shall only be rigid galvanized steel conduit, minimum of (3") as shown on reverse side and shall be securely fastened to the building. It shall be of such length that the weatherhead must be a minimum of three (3) feet and not to exceed a maximum of (5) feet above roof. Weatherhead shall be at (14) feet minimum above ground level.

Roof riser passage through the roof shall be completely waterproof.

Main switch and fuse box must be located at a readily accessible location nearest the point of entrance of the service conductors, when this is not possible, a UL approved external disconnect switch box must be installed.

GROUNDING:

Ground wire must be one continuous length without splice or joint from main switch to grounding electrode.

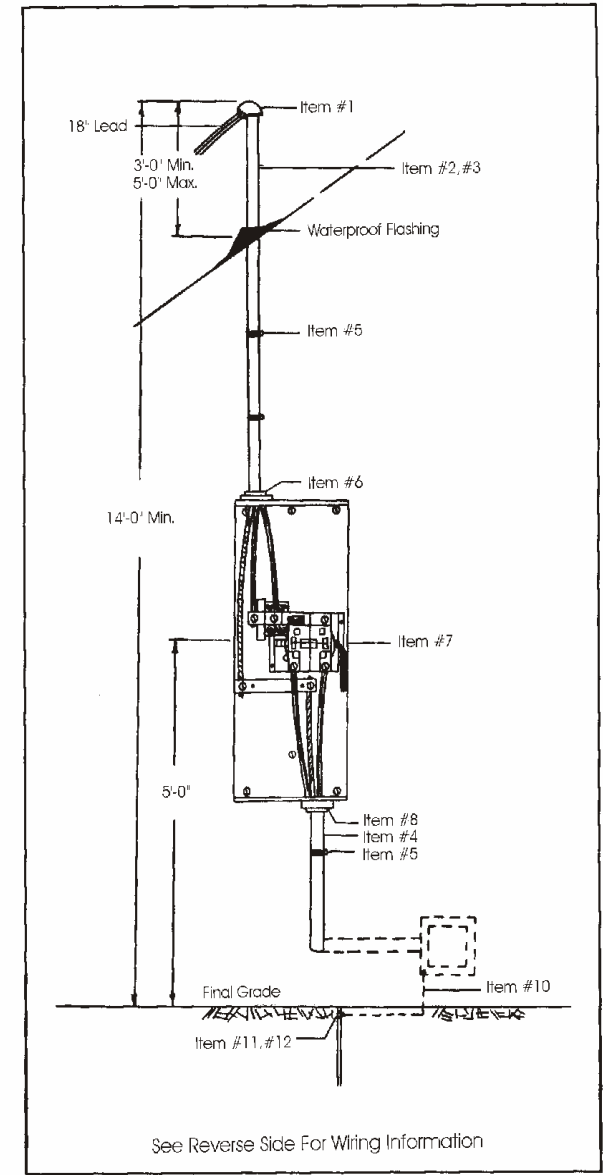
Driven ground rod shall be 5/8" X 8' copperclad or 5/8" X 8' solid galvanized steel, in undisturbed soil.

Ground rod clamp shall connect ground wire securely to the ground rod.

NOTES:

1. All installations to be made according to this sketch.
2. All materials to be approved by the Underwriters Laboratories or equivalent.
3. All wiring to be in accordance with the National Electrical Code.
4. Always have a qualified electrician take care of your wiring needs.
5. Consumers not following these minimum specifications will be refused service connection.
6. Service connections and/or meter removal shall be done only by authorized company personnel.
7. Reduced neutral may be allowed.

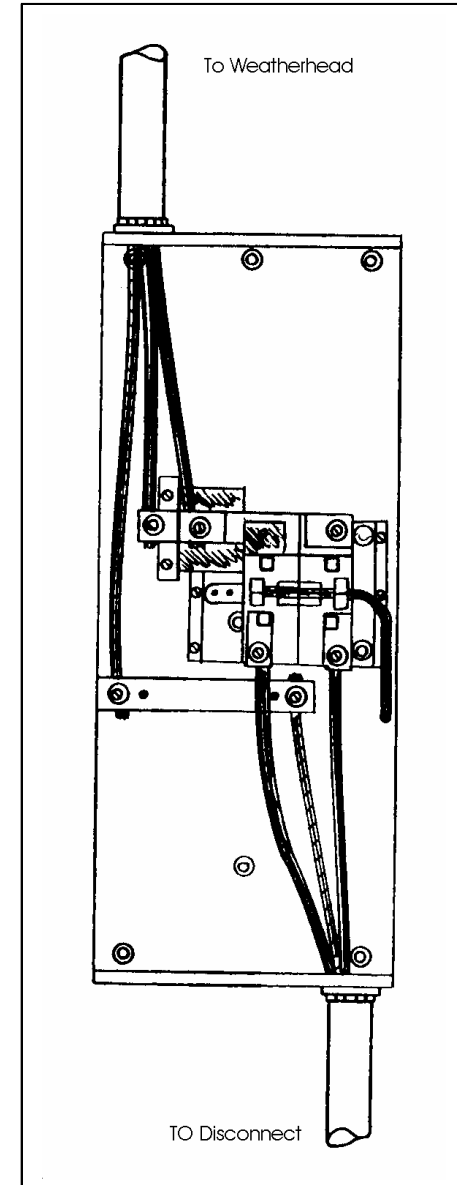
*** **BEFORE ANY DIGGING FOR SAFETY'S SAKE CALL OUPS (1-800-362-2764)** ***



WIRING DIAGRAM MATERIAL SPECIFICATIONS

320 Amp Service – Roof Riser Installation

ITEM	MATERIAL	320 AMP SERVICE
1	Weather head – (Galvanized) sized appropriately	
2	Copper Wire, Type THHW/THHN - installed in conduit (300A)	250 MCM
	Aluminum Wire, Type THHW/THHN – installed in conduit (300A)	350 MCM
	Copper Wire, Type THHW/THHN – installed in conduit (400A)	400 MCM
	Aluminum Wire, Type THHW/THHN – installed in conduit (400A)	N/A
3	Conduit – Galvanized – Minimum size for Consumer service cable/conductors – Roof Riser Installation	3”
4	Conduit – PVC or Galvanized – Minimum size for Consumer service cable/conductors – if required	3”
5	Cable or conduit clamp – spaced 18” maximum	
6	Watertight connector – (for conduit)	
7	Meter base -- must be supplied by the consumer and approved by the Company	
8	Non-watertight connector – (for conduit)	
9	Main disconnect and fuse box -- as required	300/400 Amp
10	Continuous ground wire from main disconnect switch box to ground rod	# 6 Bare Copper
11	Ground Rod : 5/8” x 8’ copperclad or 5/8” x 8’ galvanized steel	
12	Ground Rod Clamp	



**When ready for service connection, please call the
Area Service Department at:**

Lancaster-----	1-800-282-5064
Canal Winchester-----	1-800-524-0802
Circleville-----	1-800-206-0745
Hillsboro-----	1-800-207-0020
Barnesville-----	1-800-468-4717

**** BEFORE ANY DIGGING FOR SAFETY'S SAKE CALL OUPS (1-800-362-2764) ****