

SOUTH CENTRAL POWER COMPANY

Minimum Requirements: **TEMPORARY METER POLE INSTALLATION** - Overhead

Single phase, 120/240 Volts, 3 wire service, **60 Amp. Minimum**

*** Not to be used for Trailer or Mobile Home Installation ***

GENERAL:

The consumer will supply and install a meter base sized appropriately for the electric service. The Company will supply and install service wires to the pole and service wire attachments on the pole. All material supplied by the Company will remain the property of the Company.

Consumer shall install an adequate structure to support the meter pole installation. Structure must be a pole or timber, pressure treated with a minimum size of **4" x 4" x 16'**. (**2" x 4" boards joined together are not acceptable**). Structure shall be set in the ground a minimum of four feet, and the backfill shall be thoroughly tamped. Structure shall be not more than **(20)** feet from the closest available Company facility.

All service entrance equipment shall be supplied and installed on the meter pole or structure by the Consumer.

Temporary meter pole installation may be wired in conduit or service entrance cable, as desired by the Consumer. Conduit shall be rigid galvanized steel or schedule 40 PVC and shall be securely fastened to the pole with suitable clamps. Type SE service entrance cable shall be securely fastened to the pole.

A weatherhead shall be used, of proper size and type for the number and size of wire to be used.

All temporary meter pole installations must be provided with a UL approved main weatherproof disconnect switch box of proper size and must be located within two feet after the Consumer's wire leaves the meter base.

GROUNDING:

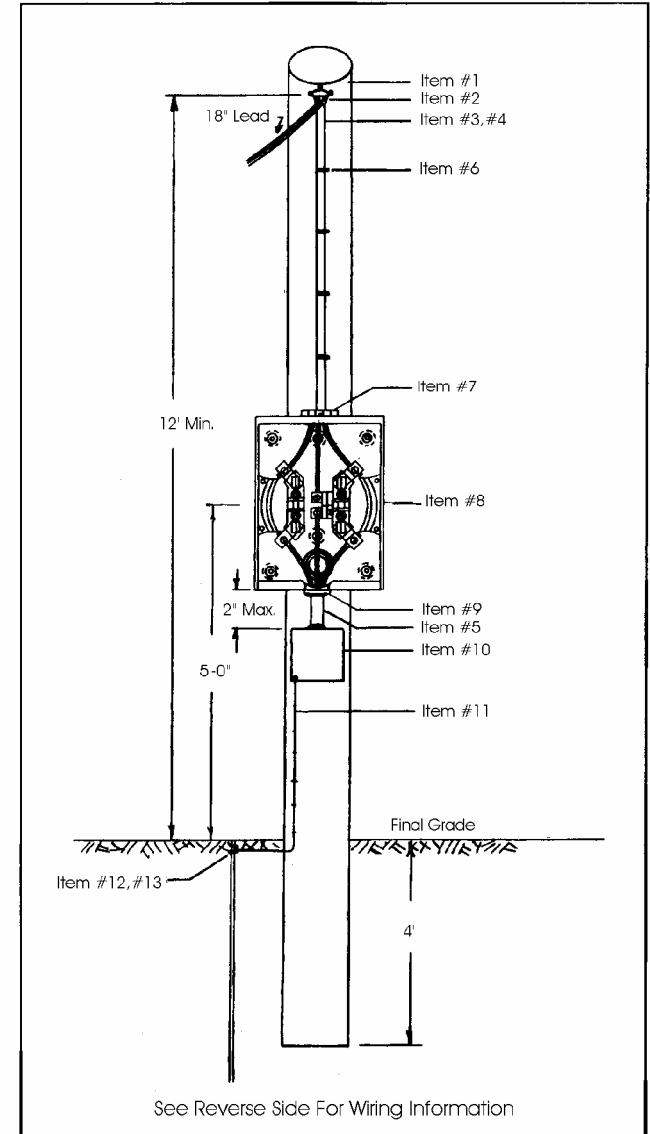
Ground wire must be one continuous length without splice or joint from main switch to grounding electrode.

Driven ground rod shall be 5/8" X 8' copperclad or 5/8" X 8' solid galvanized steel, in undisturbed soil.

Ground rod clamp shall connect ground wire securely to the ground rod.

NOTES:

1. All installations to be made according to this sketch.
2. All materials to be approved by the Underwriters Laboratories or equivalent.
3. All wiring to be in accordance with the National Electrical Code.
4. Always have a qualified electrician take care of your wiring needs.
5. Consumers not following these minimum specifications will be refused service connection.
6. Service connections and/or meter removal shall be done only by authorized company personnel.
7. Ground fault circuit protection shall be used where required by local inspection authority, in accordance with (Article 305-6, 1999 NEC).
8. Reduced neutral may be allowed.



***** BEFORE ANY DIGGING FOR SAFETY'S SAKE CALL OUPS (1-800-362-2764) *****

WIRING DIAGRAM MATERIAL SPECIFICATIONS:

60 Amp Temporary Meter Pole Installation

ITEM	MATERIAL	60 AMP SERVICE
1	4" x 4" x 16' Pole or Timber, Pressure Treated –Minimum	
2	Weatherhead –(PVC or Galvanized) sized appropriately	
3	Service entrance cable, Type SE –(Copper)	# 6
	Service entrance cable, Type SE –(Aluminum)	# 4
	COPPER WIRE, Type THHW/THHN –installed in conduit	# 6
	ALUMINUM WIRE, Type THHW/THHN –installed in conduit	# 4
4	Conduit –PVC or Galvanized –Minimum size for Consumer service entrance cable/conductors –if required	2"
5	Conduit –PVC or Galvanized –Minimum size for Consumer service entrance cable/conductor –if required	2"
6	Cable or conduit clamp –spaced 18" maximum	
7	Watertight connector –(for cable or conduit)	
8	Meter base -- must be supplied by the consumer and approved by the Company	
9	Non-watertight connector –(for cable or conduit)	
10	Waterproof, disconnect switch box –as required	60 AMP
11	Continuous ground wire from main disconnect switch box to ground rod	# 6 Bare Copper
12	Ground Rod : 5/8" x 8' copperclad or 5/8" x 8' galvanized steel	
13	Ground Rod Clamp	

When ready for service connection, please call the Area Service Department at:

Lancaster : 1-800-282-5064
 Canal Winchester : 1-800-524-0802
 Circleville : 1-800-206-0745
 Hillsboro : 1-800-207-0020
 Barnesville : 1-800-468-4717

BEFORE ANY DIGGING FOR SAFETY'S SAKE CALL OUPS (1-800-362-2764)

100 Amp Temporary Meter Pole Installation

ITEM	MATERIAL	100 AMP SERVICE
1	4" x 4" x 16' Pole or Timber, Pressure Treated - Minimum	
2	Weatherhead –(PVC or Galvanized) sized appropriately	
3	Service entrance cable, Type SE –(Copper)	# 4
	Service entrance cable, Type SE –(Aluminum)	# 2
	COPPER WIRE, Type THHW/THHN –installed in conduit	# 4
	ALUMINUM WIRE, Type THHW/THHN –installed in conduit	# 2
4	Conduit –PVC or Galvanized –Minimum size for Consumer service entrance cable/conductors –if required	2"
5	Conduit –PVC or Galvanized –Minimum size for Consumer service entrance cable/conductor -if required	2"
6	Cable or conduit clamp –spaced 18" maximum	
7	Watertight connector –(for cable or conduit)	
8	Meter base -- must be supplied by the consumer and approved by the Company	
9	Non-watertight connector –(for cable or conduit)	
10	Waterproof, disconnect switch box - as required	100 AMP
11	Continuous ground wire from main disconnect switch box to ground rod	# 6 Bare Copper
12	Ground Rod : 5/8" x 8' copperclad or 5/8" x 8' galvanized steel	
13	Ground Rod Clamp	

200 Amp Temporary Meter Pole Installation

ITEM	MATERIAL	200 AMP SERVICE
1	4" x 4" x 16' Pole Timber, Pressure Treated –Minimum	
2	Weather head –(PVC or Galvanized) sized appropriately	
3	Service entrance cable, Type SE –(Copper)	# 2/0
	Service entrance cable, Type SE –(Aluminum)	# 4/0
	COPPER WIRE, Type THHW/THHN –installed in conduit	# 2/0
	ALUMINUM WIRE, Type THHW/THHN –installed in conduit	# 4/0
4	Conduit –PVC or Galvanized –Minimum size for Consumer service cable/conductors –if required	2"
5	Conduit –PVC or Galvanized –Minimum size for Consumer service entrance cable/conductors -if required	2"
6	Cable or conduit clamp –spaced 18" maximum	
7	Watertight connector –(for cable or conduit)	
8	Meter base -- must be supplied by the consumer and approved by the Company	
9	Non-watertight connector –(for cable or conduit)	
10	Waterproof, disconnect switch box –as required	200 AMP
11	Continuous ground wire from main disconnect switch box to ground rod	# 6 Bare Copper
12	Ground Rod : 5/8" x 8' copperclad or 5/8" x 8' galvanized steel	
13	Ground rod clamp	

