

SOUTH CENTRAL POWER COMPANY

Minimum Requirements: RESIDENTIAL METER LOCATION - ON HOUSE WITH HOUSE KNOB INSTALLATION – Overhead
Single phase, 120/240 Volts, 3 wire service, 320 Amp. Service

GENERAL:

The consumer will supply and install a meter base sized appropriately for the electric service. The Company will supply and install overhead service wire and service wire attachments on house. All material supplied by the Company remains property of the Company.

All service entrance equipment shall be supplied and installed on the house by the Consumer.

A watertight connector must be used at the top of the meter base and a non-watertight connector may be used at the bottom of the meter base. Conduit shall be rigid galvanized steel or rigid non-metallic (Schedule 40 PVC). It shall be a minimum of 3" and securely fastened to the side of the house by means of suitable clamps.

A weatherhead shall be used, of proper size and type for the number and size of wire to be used.

Main switch and fuse box must be located at a readily accessible location nearest the point of entrance of the service conductors; when this is not possible, a UL approved external disconnect switch box must be installed.

GROUNDING:

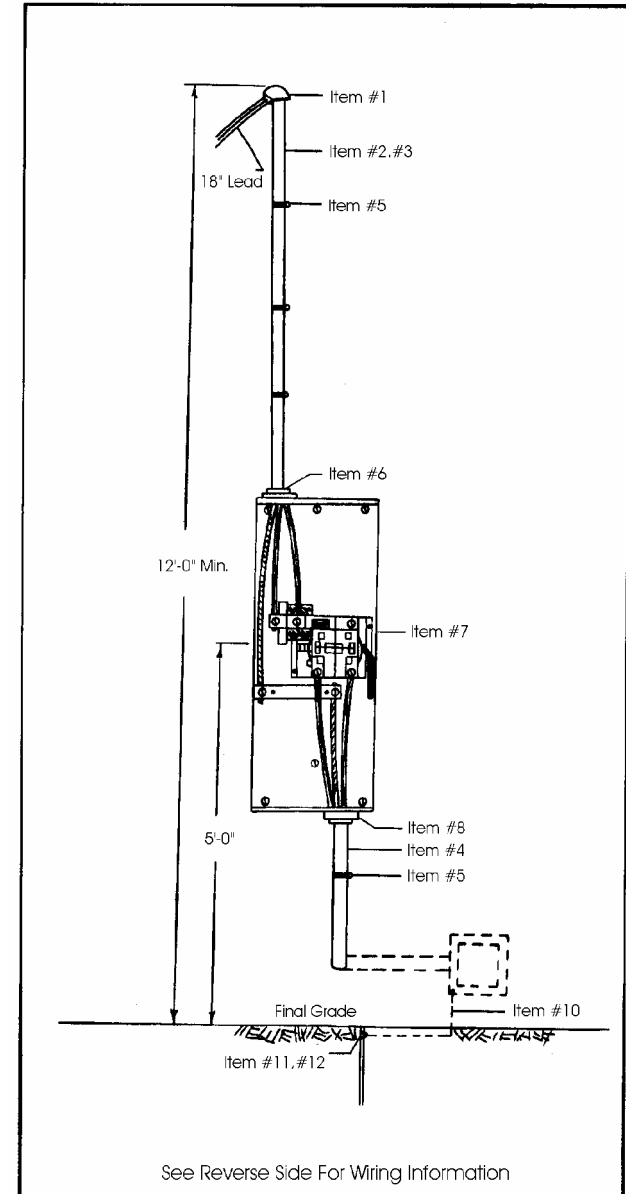
Ground wire must be one continuous length without splice or joint from main switch to grounding electrode.

Driven ground rod shall be 5/8" X 8' copperclad or 5/8" X 8' solid galvanized steel, in undisturbed soil.

Ground rod clamp shall connect ground wire securely to the ground rod.

NOTES:

1. All installations to be made according to this sketch.
2. All materials to be approved by the Underwriters Laboratories or equivalent.
3. All wiring to be in accordance with the National Electrical Code.
4. Always have a qualified electrician take care of your wiring needs.
5. Consumers not following these minimum specifications will be refused service connection.
6. Service connections and/or meter removal shall be done only by authorized company personnel.
7. Reduced neutral may be allowed.

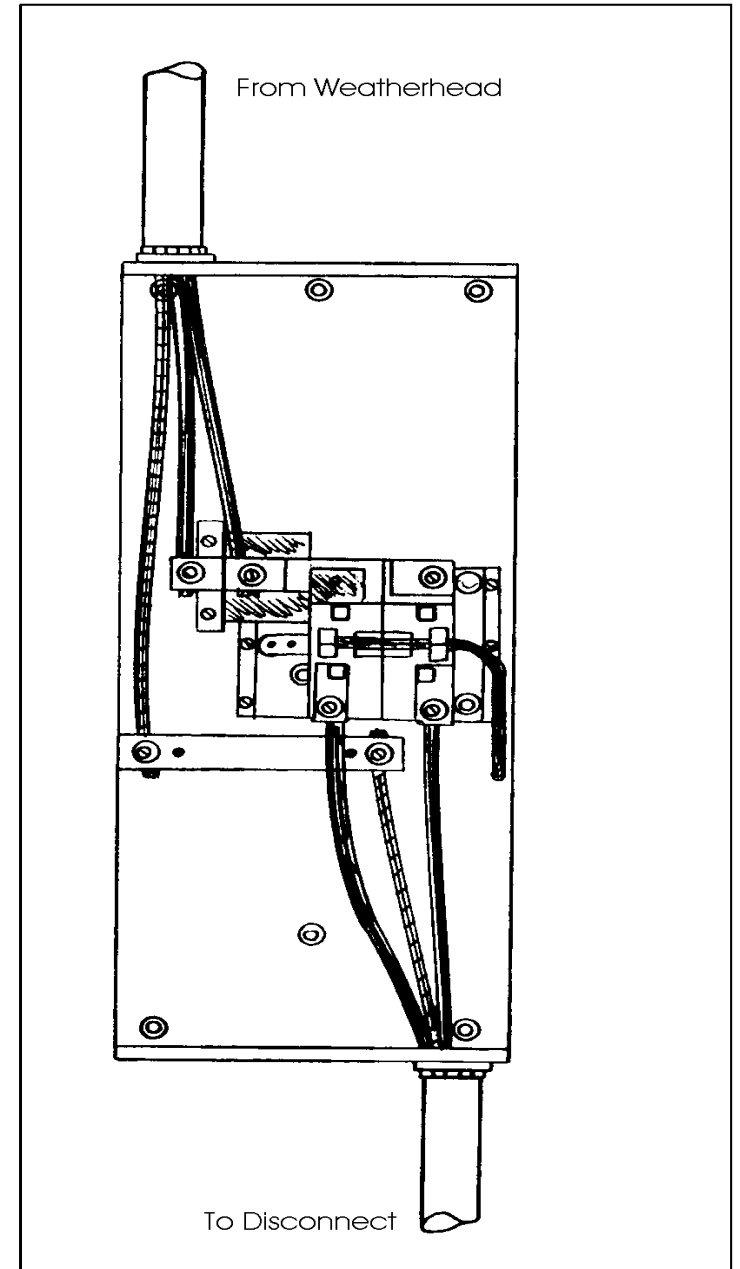


*** BEFORE ANY DIGGING FOR SAFETY'S SAKE CALL OUPS (1-800-362-2764) ***
*** THIS STANDARD NOT FOR USE ON ROOF RISER INSTALLATIONS ***

WIRING DIAGRAM MATERIAL SPECIFICATIONS

320 Amp Service - On House Installation

ITEM	MATERIAL	320 AMP SERVICE
1	Weather head – (PVC or Galvanized) sized appropriately	
2	Copper Wire, Type THHW/THHN - installed in conduit (300A)	250 MCM
	Aluminum Wire, Type THHW/THHN – installed in conduit (300A)	350 MCM
	Copper Wire, Type THHW/THHN – installed in conduit (400A)	400 MCM
	Aluminum Wire, Type THHW/THHN – installed in conduit (400A)	N/A
3	Conduit – PVC or Galvanized – Minimum size for Consumer service cable/conductors – from meter base to weather head	3”
4	Conduit – PVC or Galvanized – Minimum size for Consumer service cable/conductors – from meter base to disconnect switch	3”
5	Conduit clamp – spaced 18” maximum	
6	Watertight connector – (for conduit)	
7	Meter base – must be supplied by the consumer and approved by the Company.	
8	Non-watertight connector – (for conduit)	
9	Main switch and fuse box – as required	300/400 Amp
10	Continuous ground wire from main disconnect switch box to ground rod	# 6 Bare Copper
11	Ground Rod : 5/8” x 8’ copperclad or 5/8” x 8’ galvanized steel	
12	Ground Rod Clamp	



** BEFORE ANY DIGGING FOR SAFETY'S SAKE CALL OUPS (1-800-362-2764) **

or 811

FOR ANY QUESTIONS
PLEASE CONTACT
ENGINEERING GROUP
(740)-422-6166

*** THIS STANDARD NOT FOR USE ON ROOF RISER INSTALLATIONS ***